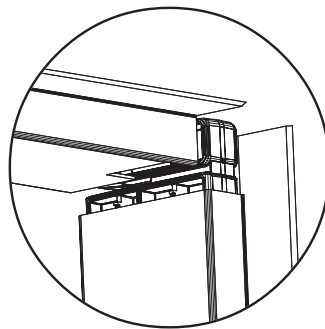
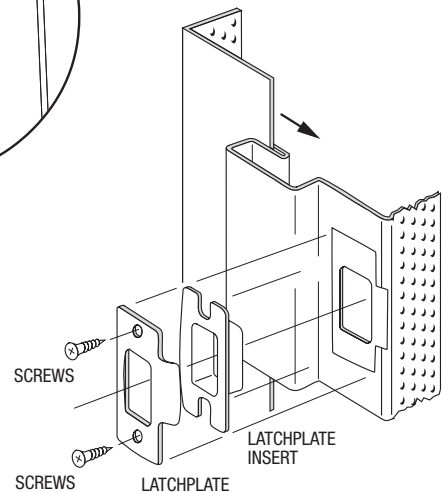


TYPICAL CORNER ASSEMBLY



TYPICAL T-STRIKE ASSEMBLY



Version

0.8mm Gauge Trimless Classic Adjust Door Frame
(For 35, 38, 43mm Doors)

Dimension A

Standard Strike Plate Height from
Base of jamb to centreline
For 2040mm door, 1020mm
For 2400mm door, 1020mm
*Custom heights available

Specifications

0.8mm Gauge zinc annealed steel door frame
adjustable for wall thicknesses up to 220mm

Hinges Available from Manufacturer

① Invisible Type Hinges

- RocYork RY-45

② EzyJamb Surface Hinges

All standard hinges are surface applied
- 100mm Stainless Steel (SS)

