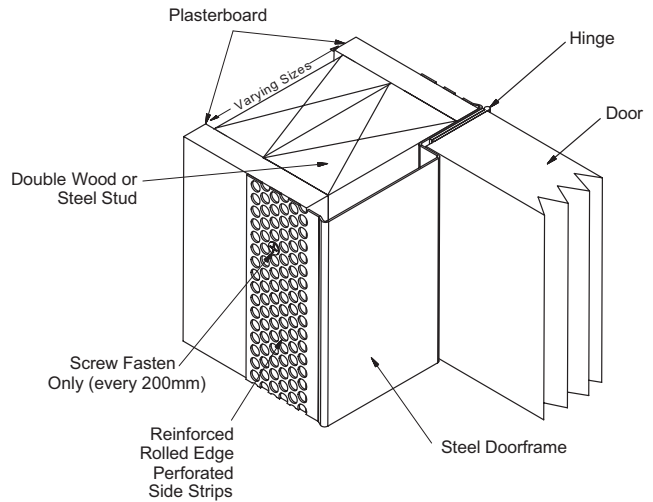
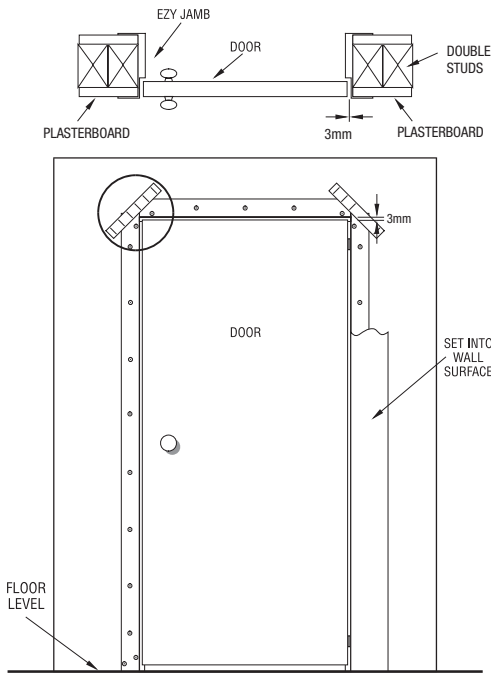
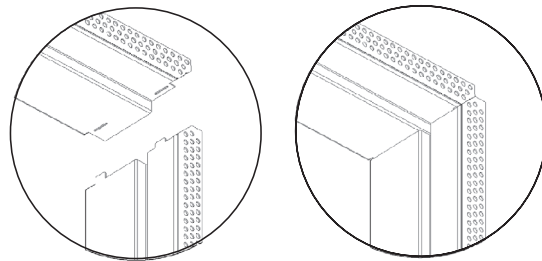


EzyJamb Single Rebate SRC door jamb is a unique frameless jamb system that wraps the plasterboard during framing and blends seamlessly with the wall when finished.

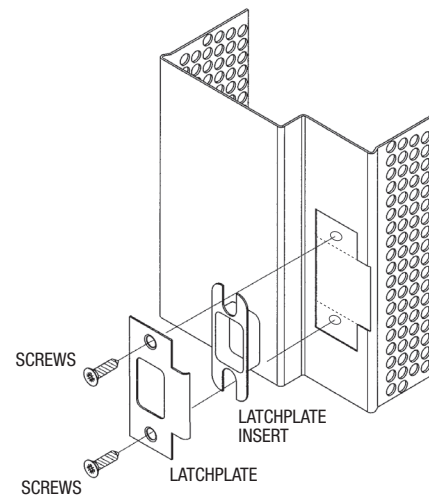
## INSTALLATION DETAIL



## CORNER DETAIL



## TYPICAL T-STRIKE ASSEMBLY



### Version

1.2mm Gauge Single Rebate Door Frame  
(For 35, 38, 43mm Doors)

### Dimension A

Standard Strike Plate Height from  
base of jamb to centreline  
For 2040mm door, 1020mm  
For 2400mm door, 1020mm  
\*Custom heights available

### Specifications

1.2mm Gauge zinc annealed steel door frame.

### Hinges Available from Manufacturer

#### ① Invisible Type Hinges

- RocYork RY-45 → *Coming Soon*

#### ② EzyJamb Surface Hinges

All standard hinges are surface applied  
- 100mm Stainless Steel (SS)

