

# Product Datasheet

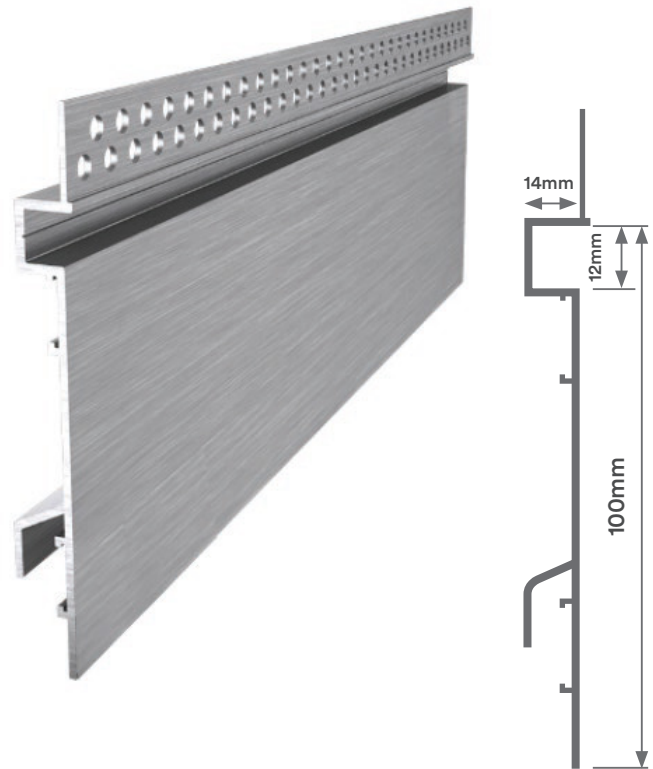
## Description

From the manufacturers of EzyJamb® comes Alubase Shadowline skirting board, a one piece aluminium profile that creates a flush finish shadowline at the base of architectural interior walls in commercial and domestic applications. A crisp and distinctive 12 x 12mm shadowline recess sits above the 90mm floor skirt, giving you a contemporary, clean line flush finish. Alubase shadowline does away with using multiple profiles and sections (such as P50) to create that sought after shadowline look.

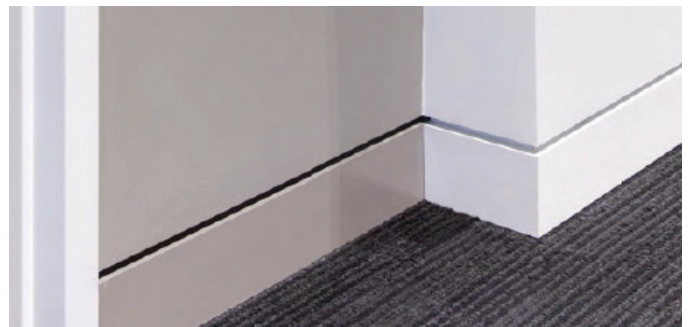
Installation is easy and all fixings are completely concealed. Joiners are available for accurately aligning linear joints, internal corners and external corners.

## Features

- One piece profile manufactured from high quality aluminium
- Designed and approved for use with **EzyJamb Classic Adjust (EZC) only.**
- Different profiles available to suit 10mm and 13mm plasterboard
- Concealed fixing system
- Crisp 12mm x 12mm shadowline recess
- Perforated bead for trowelled finish
- Excellent resilience to wear and impact
- Supplied in natural anodised finish
- Perfect joins are easy with optional joiners
- Eliminates cracking (common with MDF profiles and multiple sections, ie P50 with aluminium skirt)



## Installations



## Ordering Information

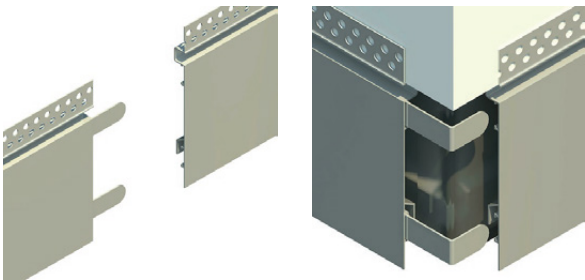
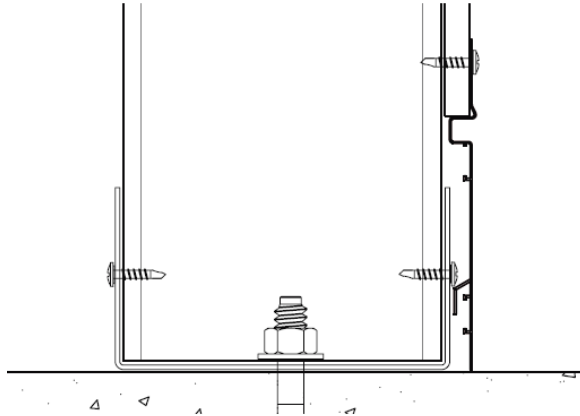
Part No.	Description	Length	Sub Pack	Stock Pack
SLS1090-36	Shadowline Skirting 10mm N/A 89mm x 3600mm	3600mm	1	10
SLS1390-36	Shadowline Skirting 13mm N/A 89mm x 3600mm	3600mm	1	10
SLSCNR	Corner Joiner (pair)	N/A	10	100
SLSJOI	Straight Joiner (pair)	N/A	10	100
SKA78	Skirting Adhesive 300ml cartridge	N/A	1	20
SLSCLIP	Rear Fixing Clip	N/A	N/A	N/A

Information contained within this document supersedes all previous versions and is subject to change without notice.

[www.ezconcept.com.au](http://www.ezconcept.com.au) | For Sales and Technical Enquiries, please visit EZ Concept Australia | 1300 329 526 | [sales@ezconcept.com.au](mailto:sales@ezconcept.com.au)

# Product Datasheet

## Installation

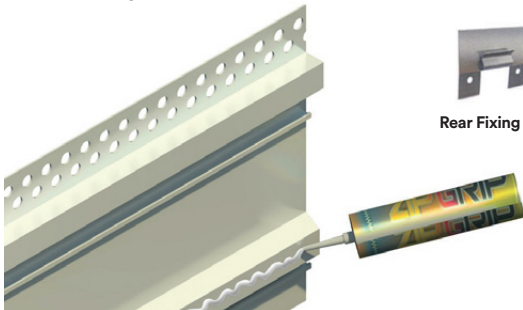


Straight Joiner

Corner Joiner



Rear Fixing Clip



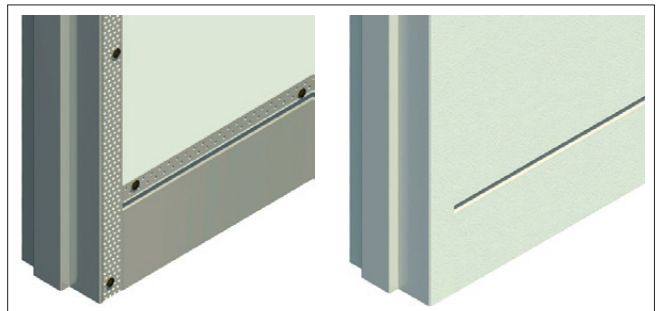
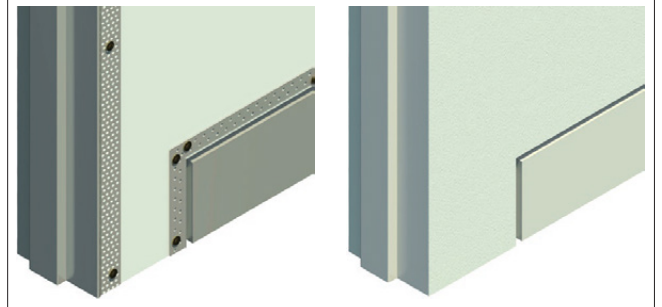
Adhesive Backing



Zip Grip Adhesive (SKA78) is a user friendly product, possessing lower viscosity than most alternatives. This allows materials to adhere tightly to the substrate with a minimal gap. When cured, a tough, flexible and heat resistant bond is formed, making it the perfect adhesive to use for skirting boards and other building trims. Highly recommended for internal use in commercial and residential construction applications.

Studcos recommend using Zip Grip skirting glue for all such applications.

## Finishing Options



## Warranty

This product is covered by a warranty. Conditions and limitations of guarantees and warranties are set out in the Studco Project Warranty certificate.

## Further Assistance

Please contact the EZConcept Product Team for assistance with specifications, product selection and installation enquiries on 1300 399 526 or at [sales@ezconcept.com.au](mailto:sales@ezconcept.com.au)

## Accreditation / Certification

