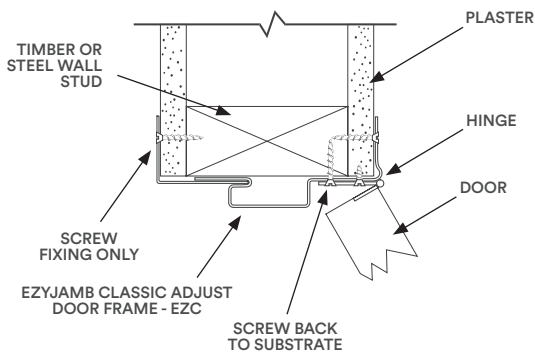
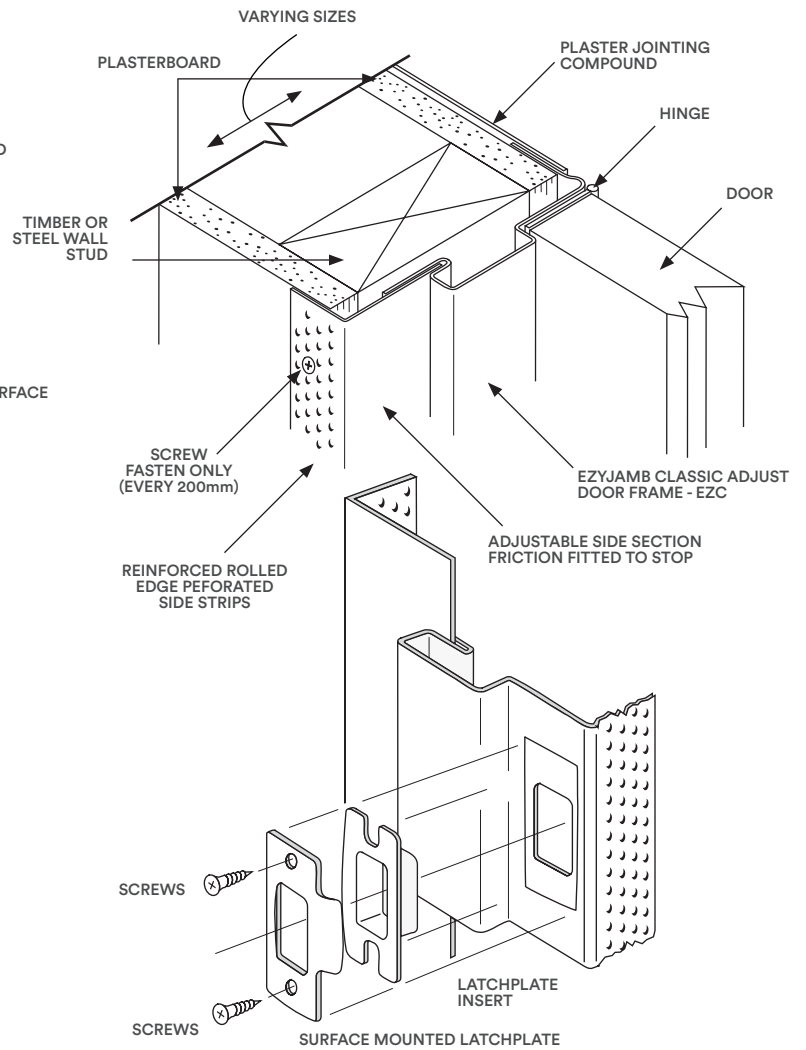
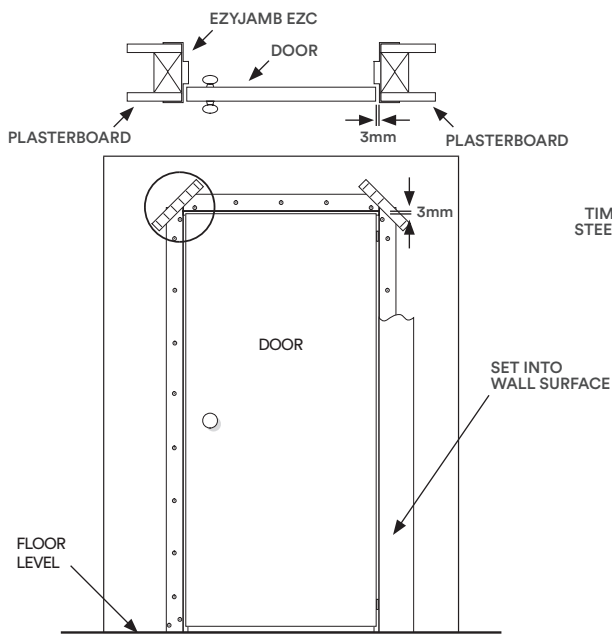
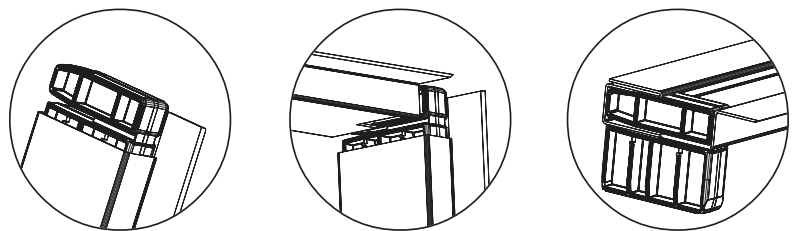


# Product Datasheet



RY-60 is available in Satin Chrome or Black



## Specification Details

### EzyJamb Ezc Classic Adjust 0.8mm Gauge Trimless Door Frame

Dimension A	Standard strike plate height from base of jamb to centreline	
	For 2040mm door, 1020mm	For 2400mm, door, 1020mm
		*Custom Heights Available

Specifications	0.8mm Gauge zinc annealed steel door frame adjustable for wall thicknesses up to 220mm
----------------	--

Hinge Options	Invisible Hinges	Surface Hinges
	RocYork RY-60	All Standard Hinges are surface applied - 100mm Stainless Steel (SS)

Information contained within this document supersedes all previous versions and is subject to change without notice.

www.ezconcept.com.au | For Sales and Technical Enquiries, please visit EZ Concept Australia | 1300 329 526 | sales@ezconcept.com.au



# Product Datasheet

