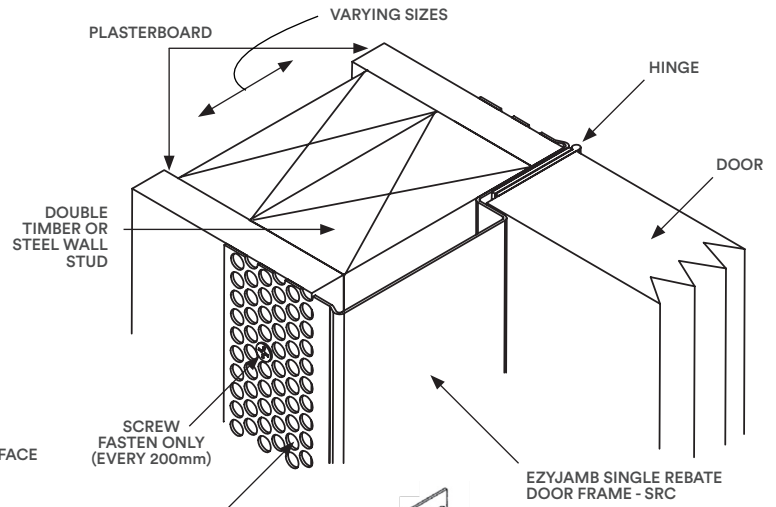
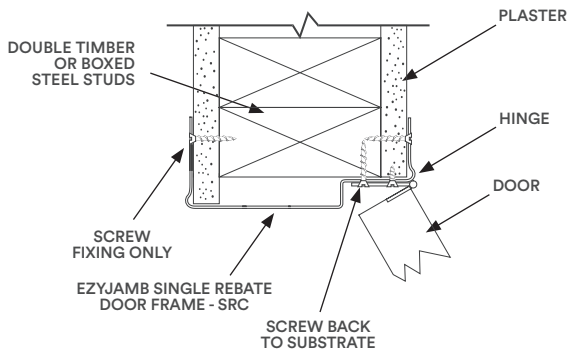
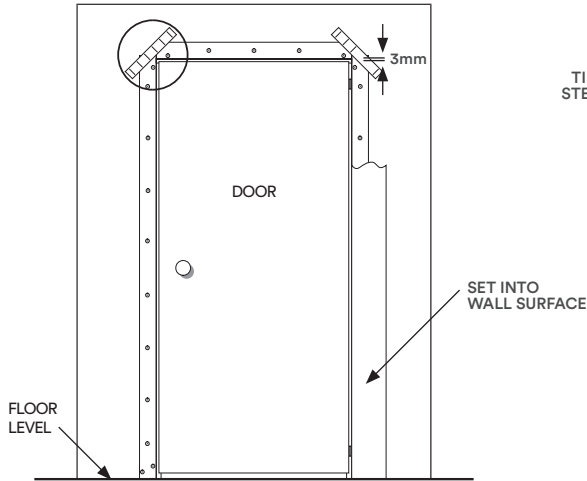
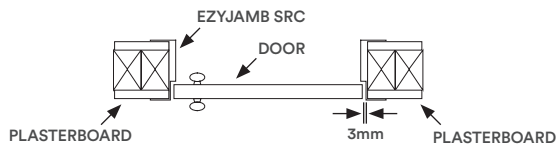
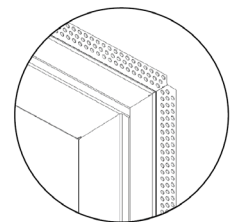
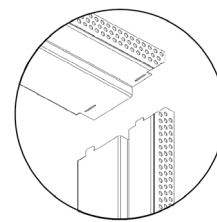
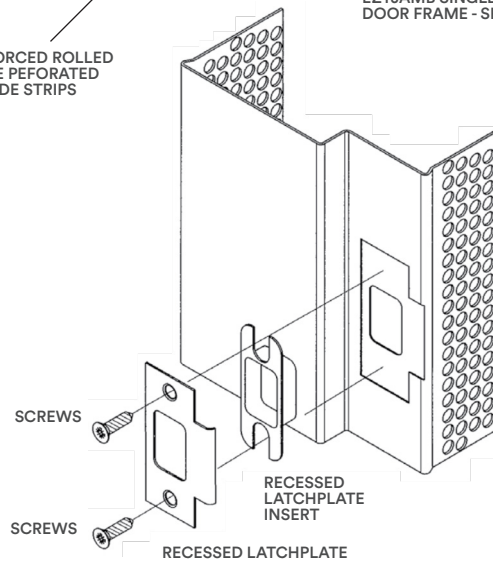


Product Datasheet



REINFORCED ROLLED EDGE PERFORATED SIDE STRIPS

SCREW FASTEN ONLY (EVERY 200mm)



Specification Details

EzyJamb SRC Single Rebate 1.2mm Gauge Single Rebate Door Frame

Dimension A	Standard strike plate height from base of jamb to centreline	
	For 2040mm door, 1020mm	For 2400mm, door, 1020mm
		*Custom Heights Available

Specifications 1.2mm Gauge zinc annealed steel door frame.

Hinge Options	Invisible Hinges	Surface Hinges
	RocYork RY-60	All Standard Hinges are surface applied - 100mm Stainless Steel (SS)

Information contained within this document supersedes all previous versions and is subject to change without notice.

www.ezconcept.com.au For Sales and Technical Enquiries, please visit EZ Concept Australia | 1300 329 526 | sales@ezconcept.com.au

Product Datasheet

