

**EzyJamb | SRC Single Rebate Door Frame**  
**Installation Instructions**

**Step 1**

Ensure that the stud opening is square and level and measures:

**Stud opening sizes for Herline /Liftoff Hinges**

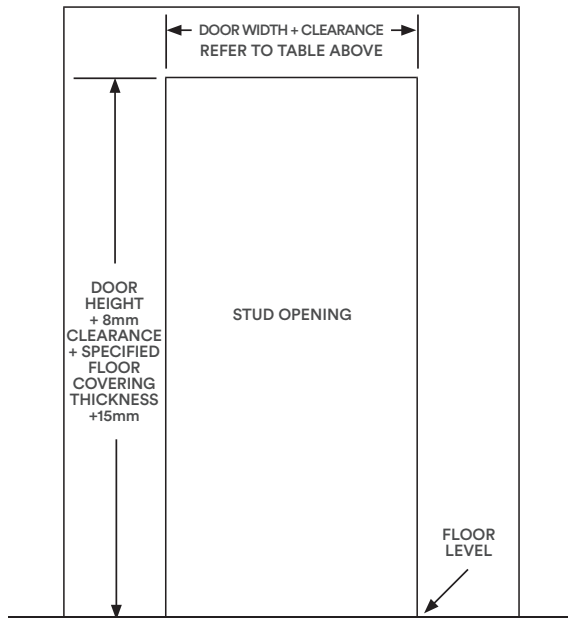
Width Single Door	Door Width +25mm Maximum
Width Double Door	Door Width +28mm Maximum
Height	Door Height + 8mm Clearance +Specified Floor Covering Thickness +15mm

**Stud opening sizes for RY-60 Concealed Hinges**

Width Single Door	Door Width +40mm Maximum
Width Double Door	Door Width +63mm Maximum
Height	Door Height + 8mm Clearance +Specified Floor Covering Thickness +15mm

*\*depending on floor clearance. Check with the Project Manager on site to confirm floor coverings.*

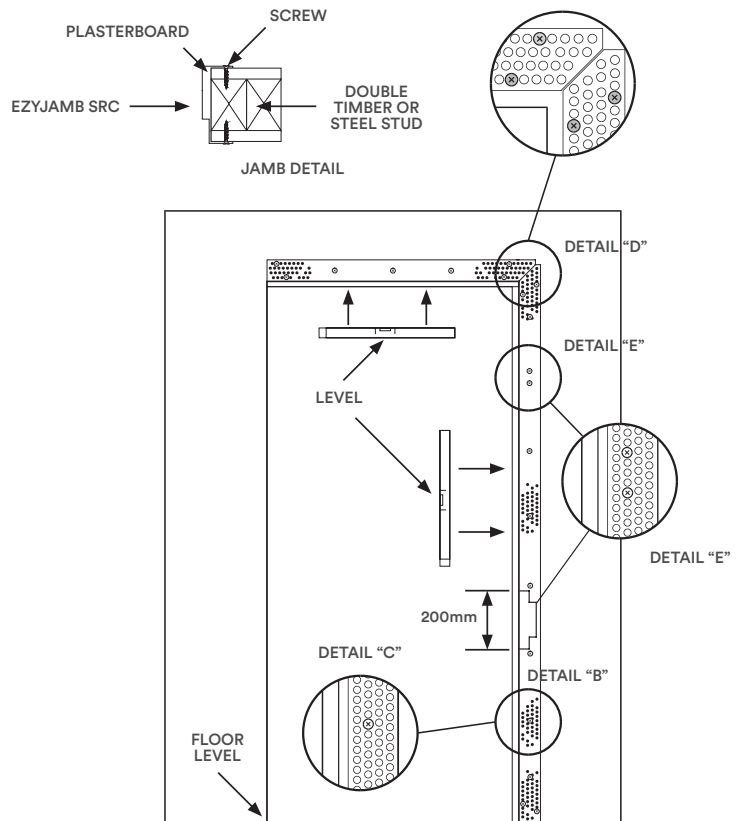
**i** Make sure the frame opening has double studs, it is strongly recommended to use timber studs or a minimum 0.75 BMT metal stud on both sides of the opening.



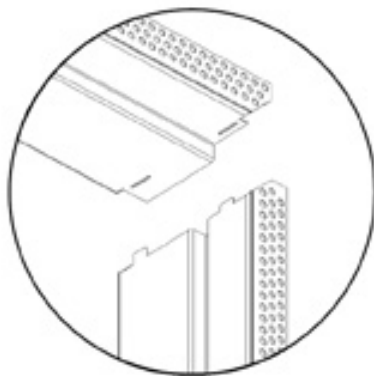
**Step 2**

Fasten hinge side first, making sure jamb is level and as tight against stud opening as possible. Then screw at 200mm centers up stile, screwing back through plasterboard into stud work See *Detail 'B'* and *'C'*.

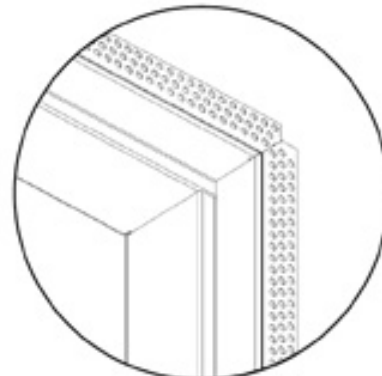
Double screw all ends as *Detail D.* and beside hinge position - both above and below hinge as *Detail E.*



**Step 2A | Head Installation**



Locate fixing tabs to header.



Corner Detail Completed

Information contained within this document supersedes all previous versions and is subject to change without notice.

[www.ezconcept.com.au](http://www.ezconcept.com.au) | For Sales and Technical Enquiries, please visit EZ Concept Australia | 1300 329 526 | [sales@ezconcept.com.au](mailto:sales@ezconcept.com.au)

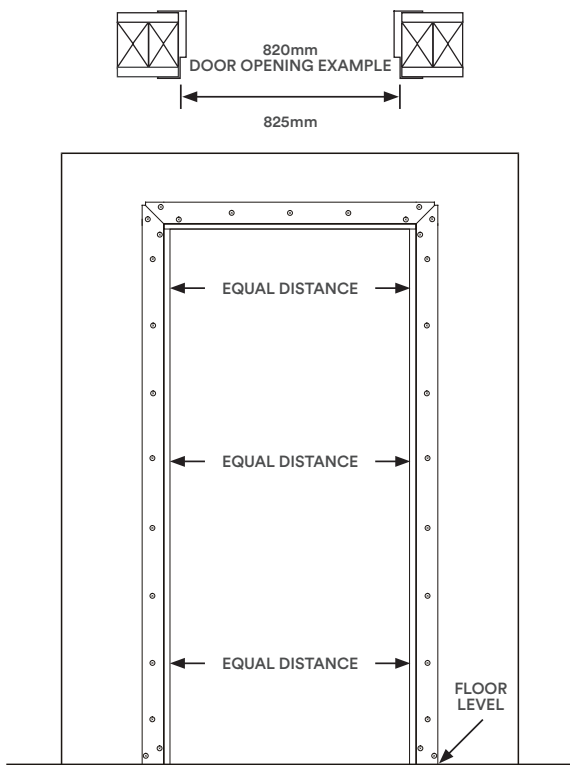


# Installation Instructions

## Step 3

Fasten the final vertical section (strike jamb) below the head section. Ensure that the spacing between the two vertical sections are spaced evenly at the required distance.

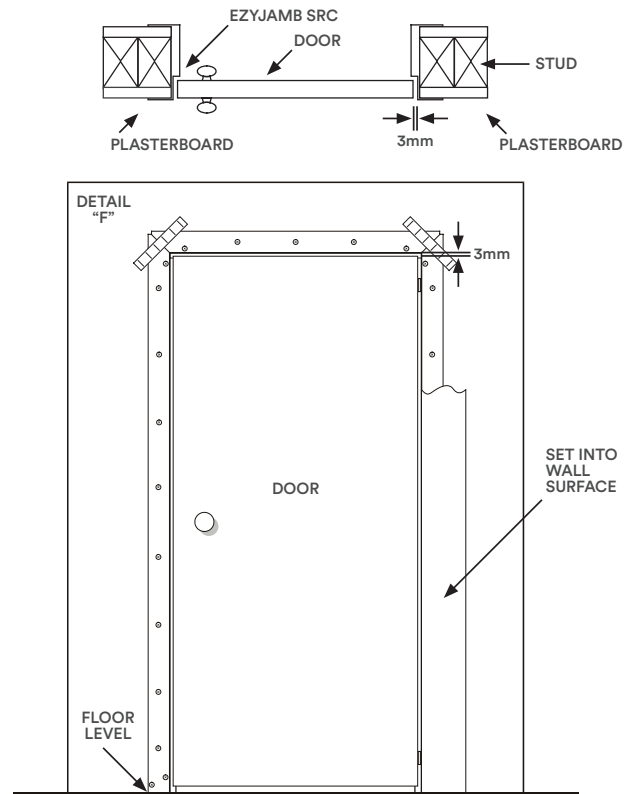
ie: 820mm door, opening is 825mm  
720mm door, opening is 725mm



## Step 4

Ensure the perforated side strips sit flat against the plasterboard to enable the jamb sections to be easily set into the wall surface. *All the corners must be taped and plastered/jointed in as Detail F.* Finish the jamb with approved plaster/jointing compound.

Hang the door in position leaving about 3mm clearance from the top and the hinged side using the EzyJamb Standard or Concealed Hinges. Surface mount the striker plate into position to align with the latch plate punching.



## Completed Installation

The completed jamb is flush finished and can be painted in with the whole wall area to fully conceal any fixing, achieving simple clean lines around the door face.

For further information or assistance in installation of EzyJamb products, please visit:

[www.ezconcept.com.au/installation](http://www.ezconcept.com.au/installation)

