

# Product Datasheet

## Description

Adding a new dimension to the internal perimeter of square-set interiors, EzyPelmet® is a two-piece steel pelmet system that makes window blinds disappear, cleverly conceals feature lighting and opens vast panoramas before your eyes. EzyPelmet offers a simple and discrete transition between the interior ceiling and external windows, curtain wall facades or the building structure.

The two-piece, pre-finished steel construction of EzyPelmet makes installation simple, compared to traditional pelmet systems that require time consuming construction methods.

## Features

- Contemporary, clearview design.
- Flush-finish edge for square-set interiors.
- Completely concealed fixings.
- Does not require fixing from the top.
- Install from below after ceiling.
- Fastest method for creating window pelmets.
- Suitable for blinds, curtain, lights & more.

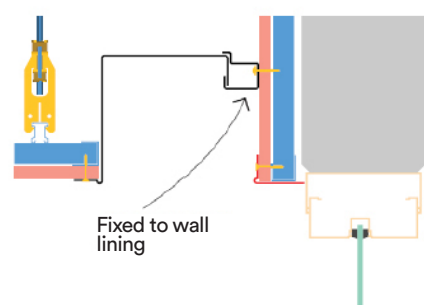


## Specification Detail

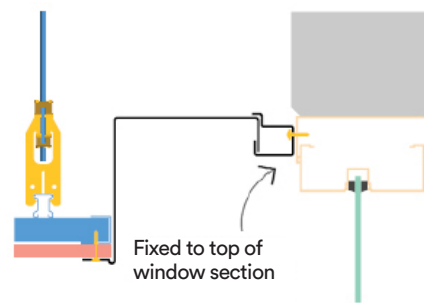
PART NO.	DESCRIPTION	LENGTH	
EP150W-30	EzyPelmet 150mm x 0.8mm - White	3000mm	(Custom Sizes Available)
EPT40W-30	EzyPelmet Wall Track - White	3000mm	(Custom Sizes Available)
EP150Z-30	EzyPelmet 150mm x 0.8mm - Zinc	3000mm	(Custom Sizes Available)
EPT40Z-30	EzyPelmet Wall Track - Zinc	3000mm	(Custom Sizes Available)
EP15003W	EzyPelmet End Cap - White		
EP15003Z	EzyPelmet End Cap - Zinc		
EP15004	EzyPelmet Main Joiner		
EP15005	EzyPelmet Wall Track Joiner		

## Installation Detail

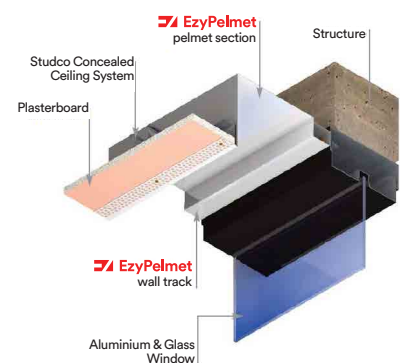
### Wall Mount Installation Method



### Clearview Installation Method



## Product Detail

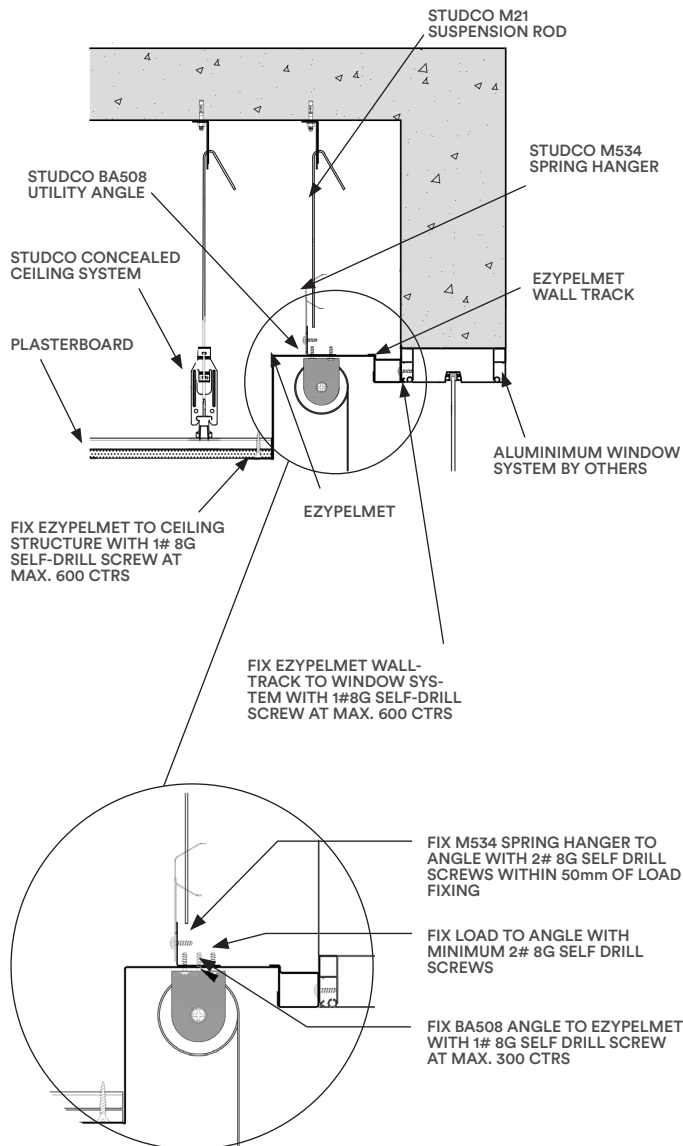


Information contained within this document supersedes all previous versions and is subject to change without notice.

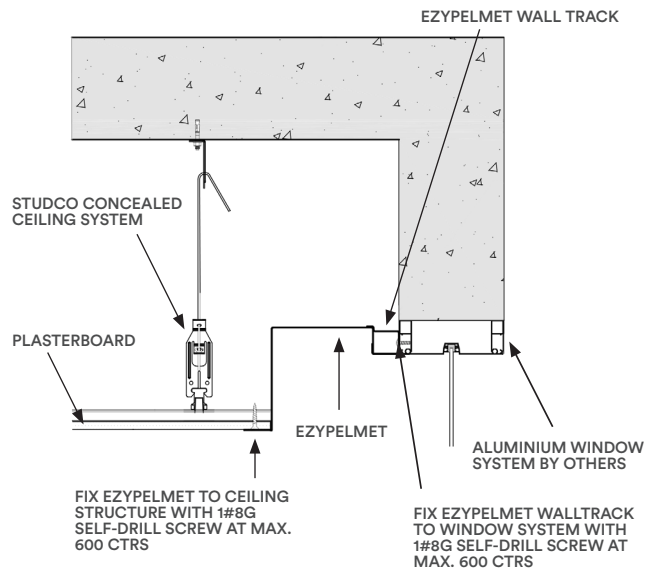
[www.ezconcept.com.au](http://www.ezconcept.com.au) | For Sales and Technical Enquiries, please visit EZ Concept Australia | 1300 329 526 | [sales@ezconcept.com.au](mailto:sales@ezconcept.com.au)

# Product Datasheet

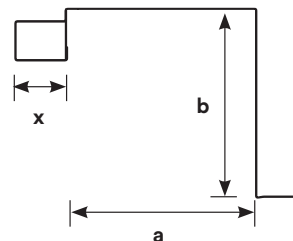
## Load Bearing Fixing Detail



## Standard Fixing Detail



## Custom Pelnets



## Warranty

This product is covered by a warranty. Conditions and limitations of guarantees and warranties are set out in the Studco Project Warranty certificate.

## Further Assistance

Please contact the EZ Concept Team for assistance with specifications, product & installation enquiries on 1300 399 526 or at [sales@ezconcept.com.au](mailto:sales@ezconcept.com.au)

## Accreditation / Certification



Information contained within this document supersedes all previous versions and is subject to change without notice.

[www.ezconcept.com.au](http://www.ezconcept.com.au) For Sales and Technical Enquiries, please visit EZ Concept Australia | 1300 329 526 | [sales@ezconcept.com.au](mailto:sales@ezconcept.com.au)